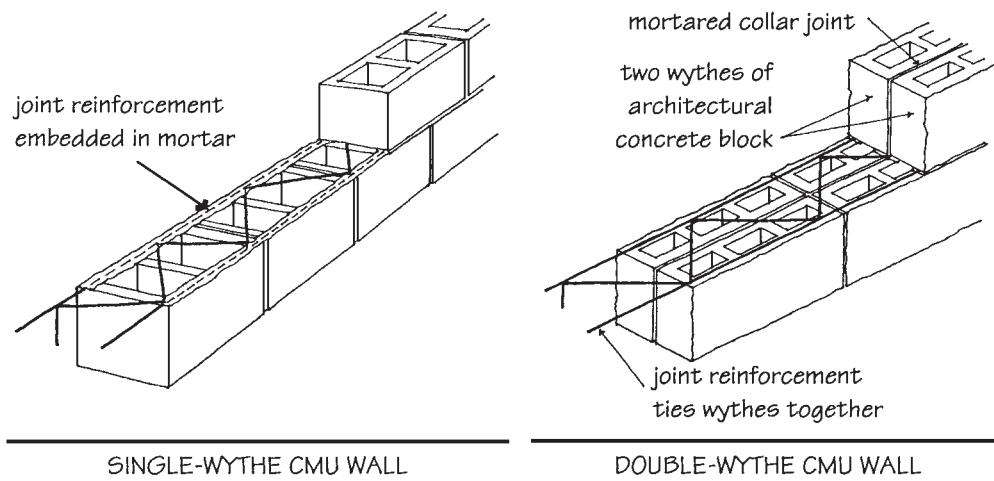
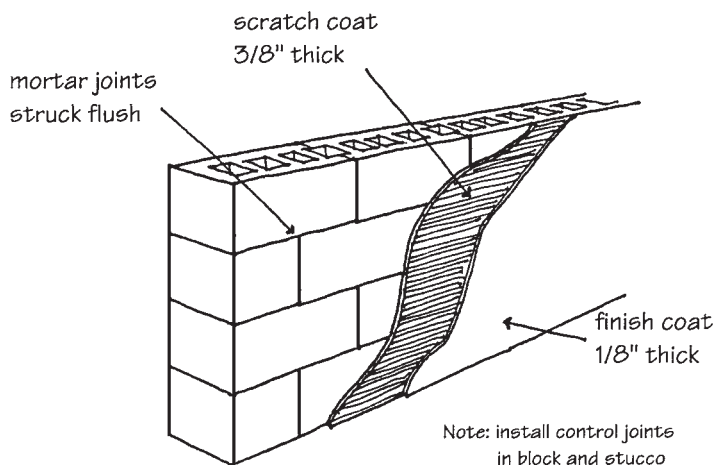


Control Joint Spacing for CMU Fences		
Joint Reinforcement Spacing (in. on center vertically)	Control Joint Spacing Expressed as Ratio of CMU Panel Length to Panel Height, L/H	Maximum Control Joint spacing (ft.)
None	2	40
8	2-1/2	45
16	3	50
32	4	60

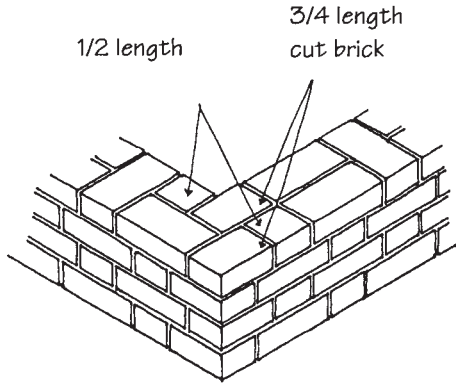
(From NCMA TEK Bulletin 10-1.)



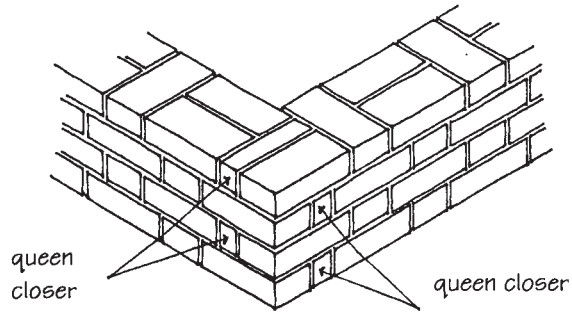
**Figure 10-11** Joint reinforcement and control joint spacing for shrinkage crack control in single-wythe and multi-wythe concrete masonry fences.



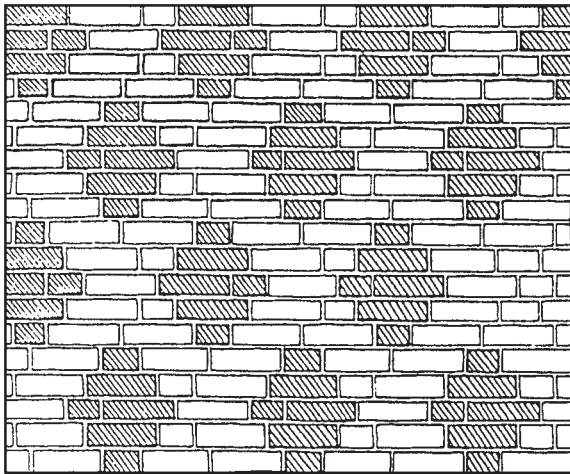
**Figure 10-12** Direct two-coat plaster on concrete masonry.



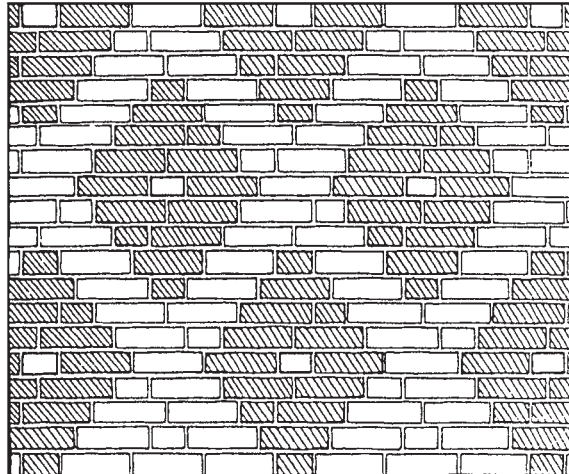
DUTCH CORNER BOND



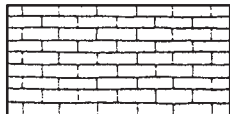
ENGLISH CORNER BOND



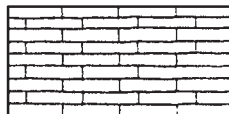
double stretcher garden wall bond  
with units in diagonal lines



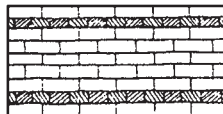
garden wall bond with units  
in dovetail pattern



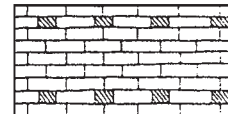
running bond



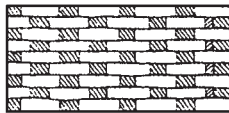
1/3 running bond



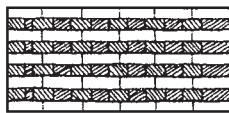
common bond or  
American bond  
6th course headers



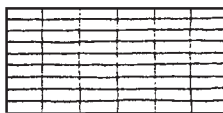
common bond or  
American bond  
6th course Flemish headers



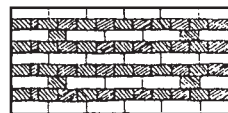
Dutch  
corner



English  
corner



Dutch  
corner



English  
corner

Flemish bond

English bond

stack bond

English cross or  
Dutch bond

Figure 10-13 Traditional multi-wythe, masonry bonded brick fences.